



FREE FLYTE™ ELITE
FREE FLYTE™ MICRO
FREE FLYTE™

PAT. NO. 5503136

The Free Flyte™ series of arrow rests has been designed as the ultimate in finger shooting rests. This trio of rests has been performing at a world class level on both target bows and hunting bows for many years.

Mounting

Each of these rests can be mounted to your bow with the bolt supplied or with a cushion plunger. If you want to use a cushion plunger, the spine point can be removed from the standard and Micro Free Flyte™. The Free Flyte™ Elite has an additional quick detach mount that can be mounted to your bow with the two 6 × 32 screws enclosed.

Adjusting

Adjust your rest horizontally before you begin to adjust the arrow support arm. When the arrow support arm is folded into the bow it should lay flat against the window. The arrow support arm has a slight hook in it to cradle the arrow against the spine point or cushion plunger tip. The arrow support arm can be adjusted in two ways. For major adjustments, loosen the set screw in the pivot block. For minor adjustments, use the adjustment screw.

The rest has been assembled with the reversible magnet set to repel the magnet in the pivot block. In this position the rest can be used as a flipper style rest. To change the rest to have the arrow support arm move out of the way upon release, simply remove the large magnet and reverse ends. In this position the arrow support arm needs to be pulled out and the arrow placed on the support arm. The weight of the arrow will hold the support arm out until the arrow is released. At the point of release the arrow will bend and move slightly off the rest and the arrow support arm will move in towards the bow before the fletching gets there. Therefore the name *Free Flyte™*.

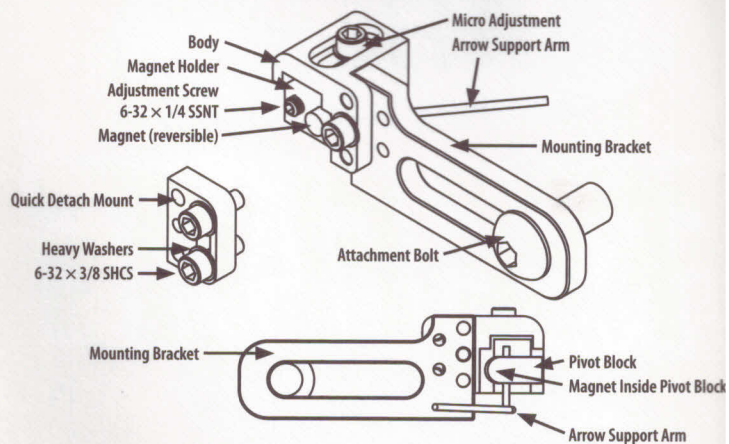
Arizona Archery Enterprises

2781 N. Valley View Drive
 Prescott Valley, AZ 86314

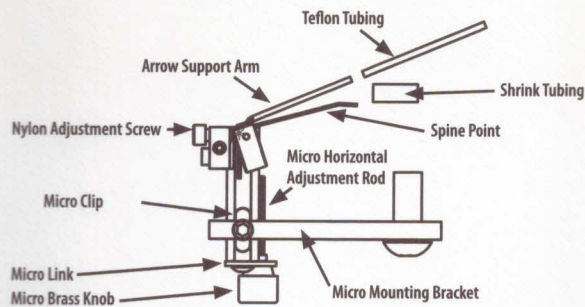
Phone: (928) 772-9887 • Fax: (928) 772-6287

www.arizonaarchery.com

FREE FLYTE™ ELITE



FREE FLYTE™ MICRO



FREE FLYTE™

